



JA-BT-VC

Thank you for purchasing our Bluetooth Stereo Volume Control with Class D Amplifier _ the JA-BT-VC. It can replace traditional volume controls to give independent zone control or used as a stand alone amplifier solution for hard-to-wire locations. With convenient installation into a standard electrical box (single-gang), you'll get big performance from a small device.

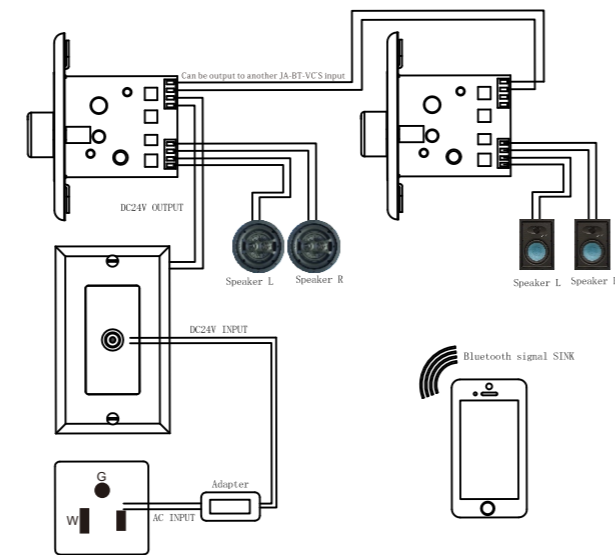
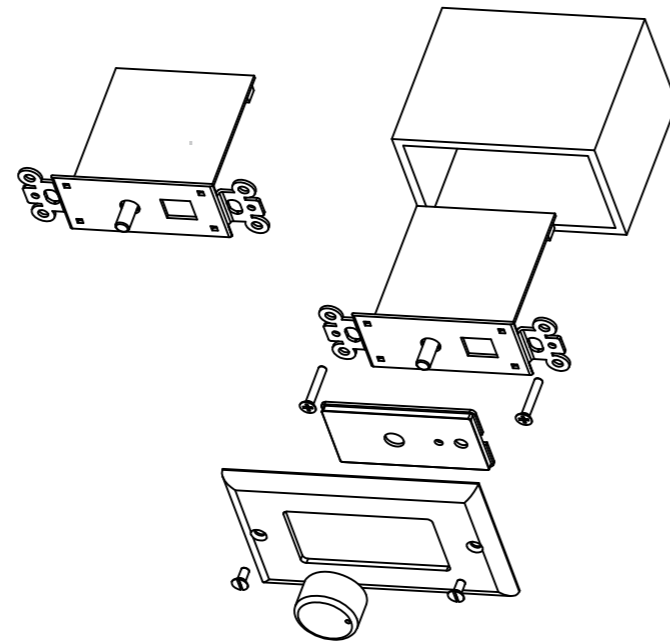
All you need is this JA-BT-VC Volume Control, power deliverance to the VC, and a set of speakers - either in-wall or ceiling-mounted. Amplify the audio of your smartphone through apps like Pandora, Spotify, Youtube, iHeartRadio and more. Turn your room into a theater with this simplistic design

- This amplified Bluetooth volume control is good for home and business applications.

- The end user can connect their smartphones, tablets, and computers to the system with the wireless Bluetooth or through the 3.5mm auxiliary input jack.

- When connected to speakers via 16/2 gauge speaker wire, a surround sound system is achievable.

- Not only are the units designed with the latest 4.1 BT rating, but they're also UL approved to meet installation standards.



JA-BT-VC function introduction and operation:

Function Introduction	
Main Parts	2-Channel Bluetooth Stereo amplifier
Amp main IC	TPA3118D2
Bluetooth	CSR8630
BT version	Bluetooth 4.1
Support Agreement	A2DP/AVRCP

1- Turn ON/OFF & Volume		
No.	Function	Operation
1.1	Turn On	Counter clockwise turn - 'click' sound as indication
1.2	Turn Off	Counter clockwise turn - 'click' sound as indication
1.3	Pairing	Auto-pairing without 3.5 analog jack input
1.4	Vol+	Clockwise turn volume knob
1.5	Vol-	counter-clockwise turn volume knob

2- Light Indicators		
No.	When	Indicator
2.1	When turned on	Blue light flashes twice and remains blue
2.2	When turned off	Light off
2.3	BT to be Paired	Steady blue light
2.4	BT Unpaired	Steady blue light
2.5	BT Paired	Steady blue light
2.6	Play BT	Steady blue light
2.7	Aux in	Steady red light, no blue light

3- Specifications		
No.	Parameter	Value
3.1	Supplying Voltage	24V DC 3 A
3.2	Standby Current	20mA
3.3	Turn off Current	<1mA
3.4	Output Power	
3.5	S/N Ratio	65dB
3.6	Resolution	60dB
3.7	Working Environment	<-10°C ~ +65°C>
3.8	Power Supply Wattage	30W x 2

4- Features		
No.	Feature	Value
4.1	Effective BT Pairing	3 minutes
4.2	Auto-connection	Auto-connection when power on (to last tethered device)
4.3	BT maximum distance	Over 10 meters
4.4	Set up room name	Some smartphones will allow you to assign a new name to connected BT devices. Check your smartphone's BT settings

Notes:

1. Available adapter specs: 110~240V AC input, 24V DC output, 3A, UL approved, DC female standard Φ2.1mm. If using two JA-BT-VC'S, 5A adapter suggested.
2. Please check your polarity again before your wire connection, that can't be reversed.
3. Bluetooth emitting distance: ~30 feet without obstacles.

Warranty Information:

Intrasonic Technology 2 Year Limited Warranty

Intrasonic Technology warrants its products to be free of manufacture defects for two years of closing or actual installation. This warranty only applies to products purchased from authorized dealers or distributors. If proof of installation cannot be supplied the manufacture serial number or date code will be substituted. This warranty extends to the original user or subsequent owner of the product during the warranty term. Intrasonic Technology will replace or repair the product at it's option at no charge with a reconditioned or new product. All products with manufactured defects must be returned to Intrasonic Technology.

If an Intrasonic Technology product is determined to have a manufacture defect, please call our toll free number (877-435-0670) before any attempt to dismantle the product. Any attempts to dismantle the product will void the warranty.

An RMA (Return Material Authorization) will be required prior to returning a product to Intrasonic Technology. To obtain an RMA number, call our toll free number (877-435-0670) and speak with a customer service representative. All products returned to Intrasonic Technology without an RMA will be refused.

The limited and extended warranty is in lieu of any other warranties, expressed or implied and any other obligations or liability on the seller's part. The limited or extended warranty does not cover service calls, damage caused by improper installations or acts of god, or violation of building or electrical codes.

Intrasonic Technology will not be liable for consequential, incidental or damages arising in connection with use or inability to use this product. In no event shall Intrasonic Technology liability hereunder exceed the cost of the product covered hereby. No person is authorized to assume for us or obligate us for any other liability in connection with the sale of this product. Some states do not allow the exclusion or limitation of consequential, incidental or damages, so the above limitation or exclusion may not apply. This limited warranty gives you specific legal rights, and you may also have other rights, which may vary state to state.