

# JA-70V-C

70V Ceiling Speaker

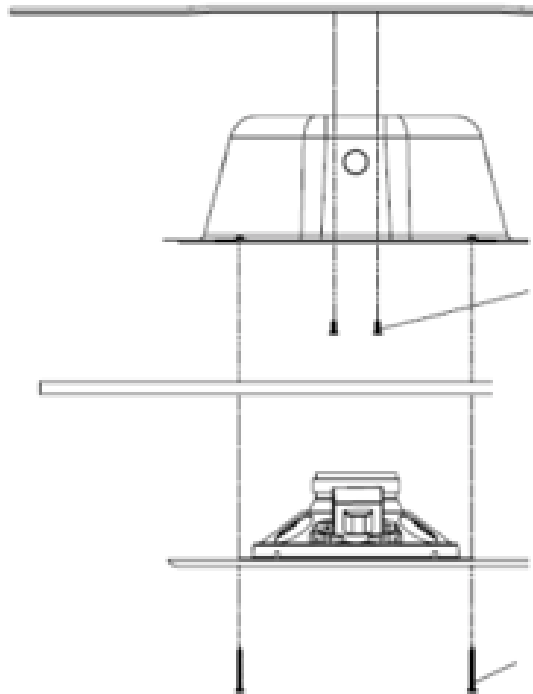
## Wiring and Installation Diagrams

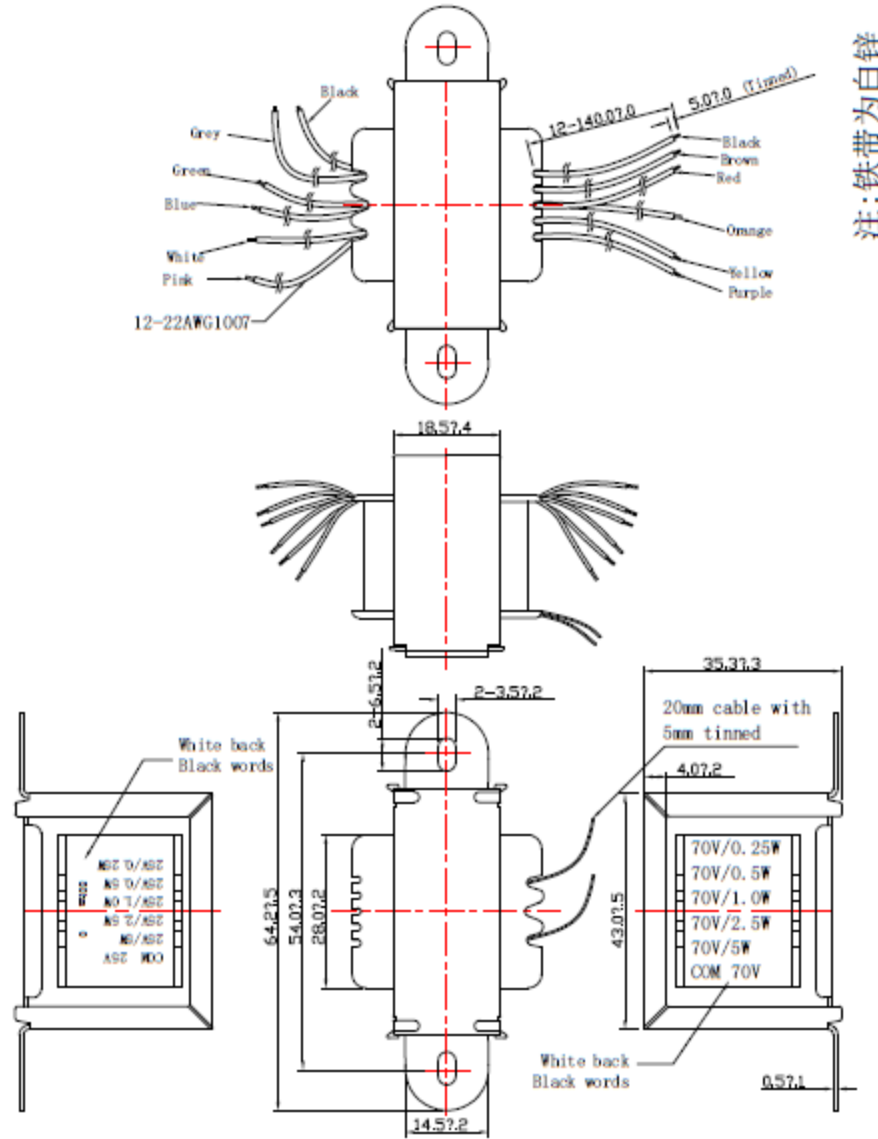
### Tap Wiring:

|     | Orange | Green | Gray | Yellow | Black |
|-----|--------|-------|------|--------|-------|
| 25V | 0.7W   | 1.3W  | 2.5W | 5W     | COM   |

|      | White | Blue | Brown | Orange | Black |
|------|-------|------|-------|--------|-------|
| 70V  | 0.7W  | 1.3W | 2.5W  | 5W     | COM   |
| 100V | 1.3W  | 2.5W | 5W    | N/C    | COM   |





注:铁带为白锌

TEST CONDITION

| Wire         | Wire diameter     | Winding | Low imp | Impedance    | Voltage(with 0Hz NLV) |             |             |
|--------------|-------------------|---------|---------|--------------|-----------------------|-------------|-------------|
| Copper wire  | Copper wire 0.5#  | 80      | 8Ω      | 156Ω ± 10%   | 25V                   |             |             |
| Copper wire  | Copper wire 0.15# | 332     |         |              |                       | 5.8V ± 15%  |             |
| Black-Brown  | Copper wire 0.15# | 475     |         |              |                       | 312Ω ± 10%  | 4.1V ± 15%  |
| Black-Red    | Copper wire 0.1#  | 679     |         |              |                       | 625Ω ± 10%  | 2.90V ± 15% |
| Black-Orange | Copper wire 0.1#  | 967     |         |              |                       | 1250Ω ± 10% | 2.03V ± 15% |
| Black-Yellow | Copper wire 0.1#  | 1375    |         |              |                       | 2450Ω ± 10% | 1.43V ± 15% |
| Black-Purple | Copper wire 0.1#  | 980     |         | 1250Ω ± 10%  | 70V                   | 5.8V ± 15%  |             |
| Black-Green  | Copper wire 0.1#  | 1390    |         | 2450Ω ± 10%  |                       | 4.11V ± 15% |             |
| Black-Blue   | Copper wire 0.1#  | 1969    |         | 4900Ω ± 10%  |                       | 2.90V ± 15% |             |
| Black-White  | Copper wire 0.1#  | 2771    |         | 9800Ω ± 10%  |                       | 2.03V ± 15% |             |
| Black-Pink   | Copper wire 0.1#  | 4024    |         | 19600Ω ± 10% |                       | 1.43V ± 15% |             |